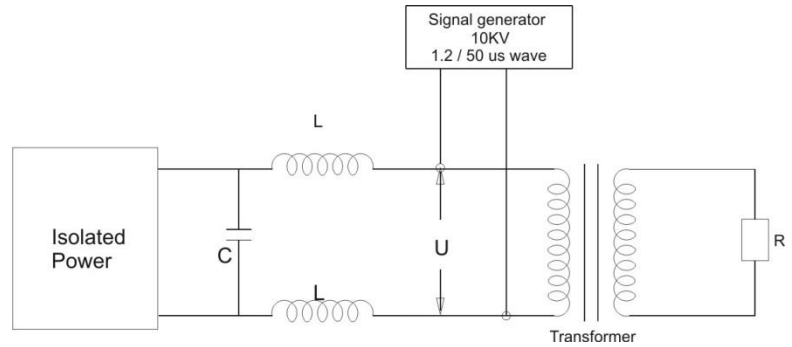


## 2.5VA SURGE PROTECTED TRANSFORMER EI30-18

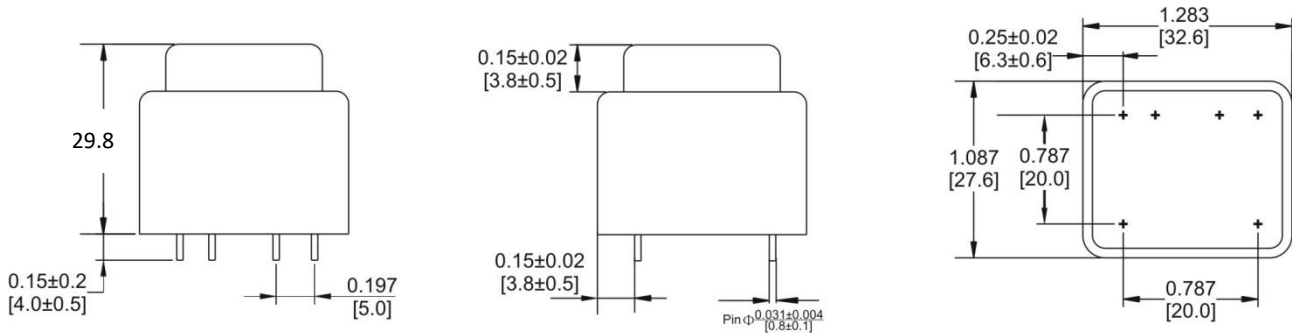
### FEATURES

- Withstand 10KV surge test.
- Encapsulated Design Prevent dust and humidity
- Self-Extinguishing Plastic 94V-0
- High efficiency, Low Temperature Rise
- Dielectric Strength 4200VAC
- Class B (130° C) insulation material.
- Operating temperature from -40 ° C to 50° C
- Storage temperature from -40 ° C to 120° C
- Design according to IEC61588

### SURGE TEST SCHEMATIC:



### OUTLINE DIMENSIONS



### OUTLINE DIMENSIONS

Order Number	Input Voltage (V)	SEC. Voltage (V)	Rated Current (mA)	Rated Power (VA)	No-load Voltage (V)	Ambient TEMP. (°C)	Surge Voltage	Weight (g)
HS301S06025	115V	6	417	2.5VA	10.4	T 50 B	10KV	110
HS301S09025	115V	9	278	2.5VA	14.5	T 50 B	10KV	110
HS301S10025	115V	10	250	2.5VA	15.5	T 50 B	10KV	110
HS301S12025	115V	12	208	2.5VA	20.7	T 50 B	10KV	110
HS301S15025	115V	15	167	2.5VA	25.8	T 50 B	10KV	110
HS301S18025	115V	18	139	2.5VA	30.8	T 50 B	10KV	110
HS301S24025	115V	24	104	2.5VA	41.4	T 50 B	10KV	110
HS302S06025	230V	6	417	2.5VA	10.4	T 50 B	10KV	110
HS302S09025	230V	10	278	2.5VA	14.5	T 50 B	10KV	110
HS302S10025	230V	9	250	2.5VA	15.5	T 50 B	10KV	110
HS302S12025	230V	12	208	2.5VA	20.7	T 50 B	10KV	110
HS302S15025	230V	15	167	2.5VA	25.8	T 50 B	10KV	110
HS302S18025	230V	18	139	2.5VA	30.8	T 50 B	10KV	110
HS302S24025	230V	24	104	2.5VA	41.4	T 50 B	10KV	110